

INSTALLATION/OWNERS MANUAL

for

Kodiak

HAND FIRED GRAVITY FED COAL STOVE



**3162 Columbia Blvd.
Bloomsburg PA 17815**

Fuel: Nut or Pea Coal

Caution

Fossil fuel burning can create lethal doses of carbon monoxide gas. This gas has no odor or color. Purchase a gas alarm for detection. Have your chimney cleaned professionally before burning any coal stove. Stove doors should only be opened for a brief period of time while filling coal or emptying ashes. Always install a carbon monoxide detector!

Turn to last page of manual for clearances.

Read this page before installing your stove.

READ ENTIRE MANUAL

- Masonry or factory built class “A” chimney may be used. A height of at least 15 feet from floor to top of chimney with an inside opening of at least 6” is required.
- This Kodiak can also be installed using our “Alaska Vent” system. Ask your dealer or call us for details.
- **Make sure** your chimney is free of any obstructions. The cleanout door should be sealed and securely attached. Have your chimney cleaned and inspected before starting your stove.
- Be sure to purchase and install a carbon monoxide detector before you start to burn your stove.
- Contact your **local** building code office, or your fire safety inspector to insure your compliance with **local** codes as they can vary.
- Alaska Company recommends that you install your stove with a **Barometric Damper**. We also recommend a minimum draft of 0.4” of water column although this stove may draft at lower measurements. It may not function properly, by following these requirements it will help regulate your draft in high wind conditions and allow your stove to burn more efficiently.
- Fresh air is important to the function of your stove, and over insulated (air tight) house may not allow enough combustion air for the proper performance of your stove. This can be corrected by slightly opening a window or installing a fresh air inlet.
- **Glass Cleaning and Care** - Stove glass is high temp Ceramic which can be fragile. Do not use cold water to clean. Do not slam the door shut as fracturing could occur. **Abrasive** cleaners will scratch the glass. Do not clean glass while hot. Use a ceramic glass cleaner and soft cloth.
- **Brass and gold Plating Care** - Be sure to clean all fingerprints and oils from these surfaces before lighting your stove. **Do not use an abrasive cleaner**. Denatured alcohol and a soft cloth are suggested. Any other cleaning product should be used according to the manufacturers instruction.

STOVE PLACEMENT AND OPERATION INSTRUCTIONS

STEP 1 Place stove on hearth. See last page of this manual or UL tag affixed to back of stove to determine proper clearances. Position stove accordingly. If further reduction on side clearance is desired, ask your dealer about optional side shields.

Remove the following items from inside the **stove body**

- A) 1 Baffle
- B) 1 Shaker Handle
- C) 1 Manual
- D) 1 Screw Pack

STEP 2 Assembly of Stove Pipe

Note: Stove piping is placed with crimped ends toward chimney in accordance with our UL testing. We also recommend that a bead of high temperature silicone is applied at each joint.

Caution: Be sure to check your chimney and be sure it is free of obstructions and in good working condition at this point.

- A) Locate **Stove Back Shield**. (See Fig. 1) Place shield over exhaust hole with the three tabs facing the stove body. The shield should align with the exhaust

pipe on back of stove. Locate **screw pack** containing three self drilling screws. Attach the shield to the stove using a self drilling screw at each tab. You will find two tabs at the bottom of the shield and one tab on top of the shield.

- B) Place a 6” elbow (*not provided*) over the exhaust hole, crimped end up and out. Aim the elbow in the directions of your wall thimble. (See Fig. 1).
- C) Barometric Damper - (*not provided*) follow manufacturers directions for assembly. Place damper on elbow with crimped end up and attached with three screws at joints. See fig. 1 for correct positioning of damper so that it does not interfere with stove pipe shield.
- D) Place a length of 6” stove pipe (*not provided*) into wall thimble. Be sure to go through wall and onto flue liner. **Do not** allow pipe to pass through the liner. Allow a **minimum** of 4 1/2” to protrude out of wall, slip trim collar (*not provided*) over pipe. Push flush to wall. Put 3 screws into pipe against trim collar, this will prevent the pipe from pushing into your chimney.

**OPTIONAL FOR REDUCED CLEARANCE
STOVE PIPE "HEAT SHIELD"**

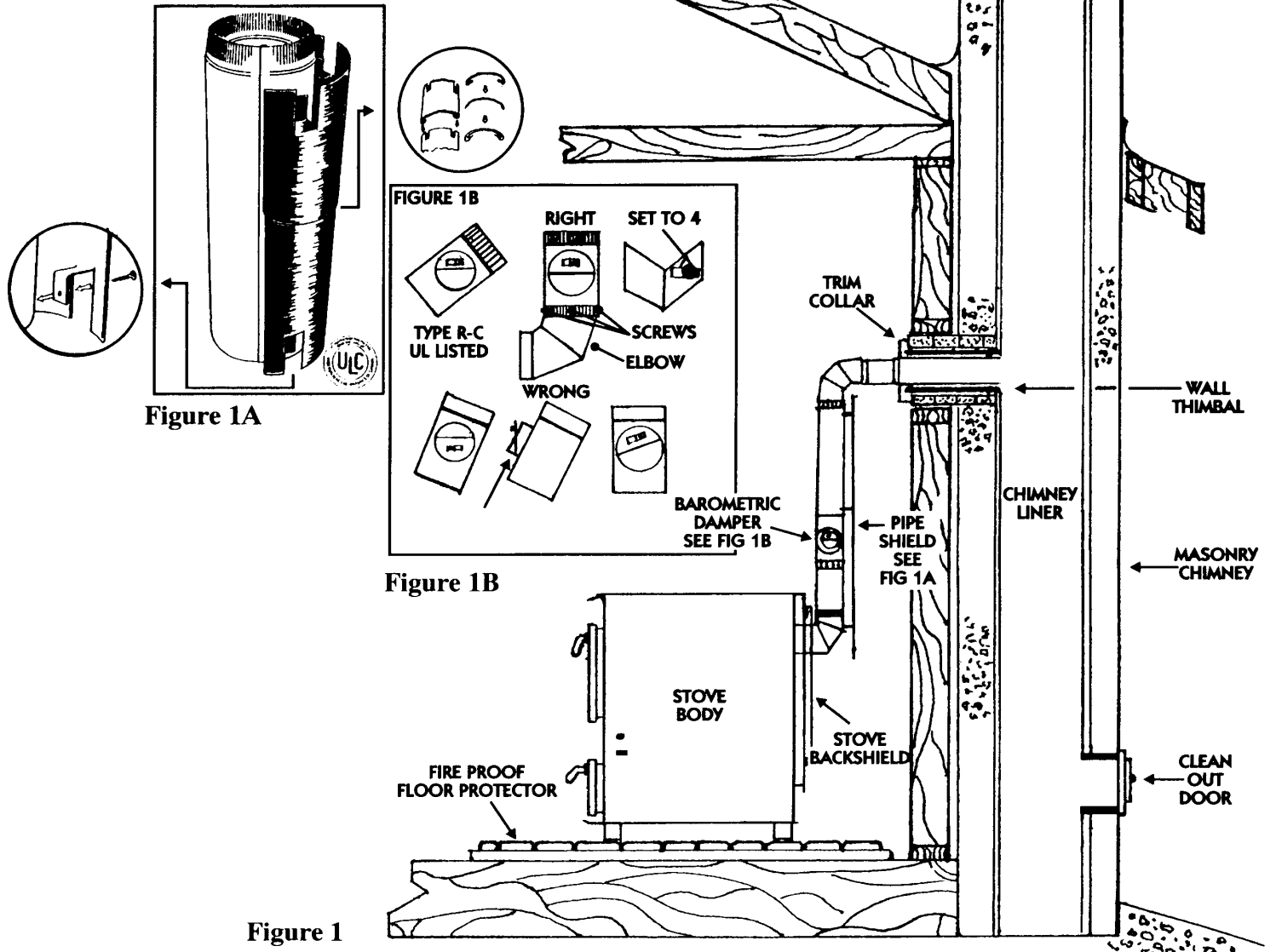


Figure 1

- E) Place a 6" elbow (*not provided*) into pipe coming out of wall. Add a piece of pipe to join the area between this elbow and the Barometric Damper, attach using three screws at each joint.
- F) Pipe shield should now be attached with screws on wall side of pipe. (**Note:** pipe shield must be attached to pipe from bottom of lower elbow to at least 1" of bottom of top elbow. If the pipe shield is too short, another should be purchased. See Fig. 1 and 1a)

STEP 3 Installation of Glass

- A) Remove **View Door** from stove body. Lay door on a flat surface. Remove the 3 - 7/16 bolts with tabs.
- B) Locate **View Glass and Gasket**, place gasket material

around entire outside edge of glass. Insert glass into back slotted area of view door, reattach bolts with tabs. (*Do not over tighten bolts*)

STEP 4 Final Preparation

- A) Locate **Floating Baffle**, open view door, look through door to upper back of stove body and you will see the baffle hanger. Place bend of baffle on hanger, center with exhaust hole. (*See Fig. 2*)
- B) Open **View Door** and see that the Fire Brick is properly positioned. (*See Fig. 3*) the back and front brick should sit against the front and back of the stove body, flush to metal. End brick should push to sides of the stove body, locking onto lugs on grate carriage and wedging the front and back bricks.

C) Position the **view screen** assembly through the view door opening with rounded bar facing up. Hang rounded bar on J bolts at top inside front of stove, center in view door opening with bottom frame resting inside of groove in front brick. **Note:** this is installed at factory.

D) Checking the **Grate System** - Open ash door, slide out ash pan. The grate system should now be visible. This system has the following parts:

- 1) Grate Frame
- 2) Round Grate
- 3) Dump Grate

The dump grate can only move in and out with the ash door open. The dump grate should be used only to clean out stove.

To do this:

- 1) open ash door
- 2) slip dump grate out
- 3) reassemble grate when cleaning is complete

This allows the coal to dump.

Note: Be sure to install the dump grate so the *“top”* is up.

- burn a small fire for one day
- slowly increase the fire over the next 3-4 days

This procedure will allow your firebrick and grate to “cure” prolonging their durability.

Starting a Fire

A) Locate the **Shaker Handle** - Open the top door and load door. Make a *“wad”* from several pieces of newspaper, insert through the load door and place on the grate. Cover the paper with small pieces of kindling wood (approx. 4" - 6" long) cover with some larger pieces of kindling wood.

B) Loosen the **Brass Draft Knob** on the ash door, slide knob to the right until wide open. **Note:** If you have optional bimetal damper, be sure it is closed.

C) Start the fire by lighting the newspaper and close the load door. This will allow your stove to draft.

D) It may be necessary to add more wood. When a good burning base is established add about 1" of coal.

E) Allow coal to burn until it has a *“red glow”* - add 2" - 3" of coal at this time. Coal is then added as needed. Adjust draft control to regulate your fire.

Warning: Stove body and handles will get hot.

Wear protective gloves when opening doors or adjusting draft controls.

STEP 5 Lighting and operating

Note: Before burning your stove we suggest you allow time to *“season”* your stove. Use the following procedure:

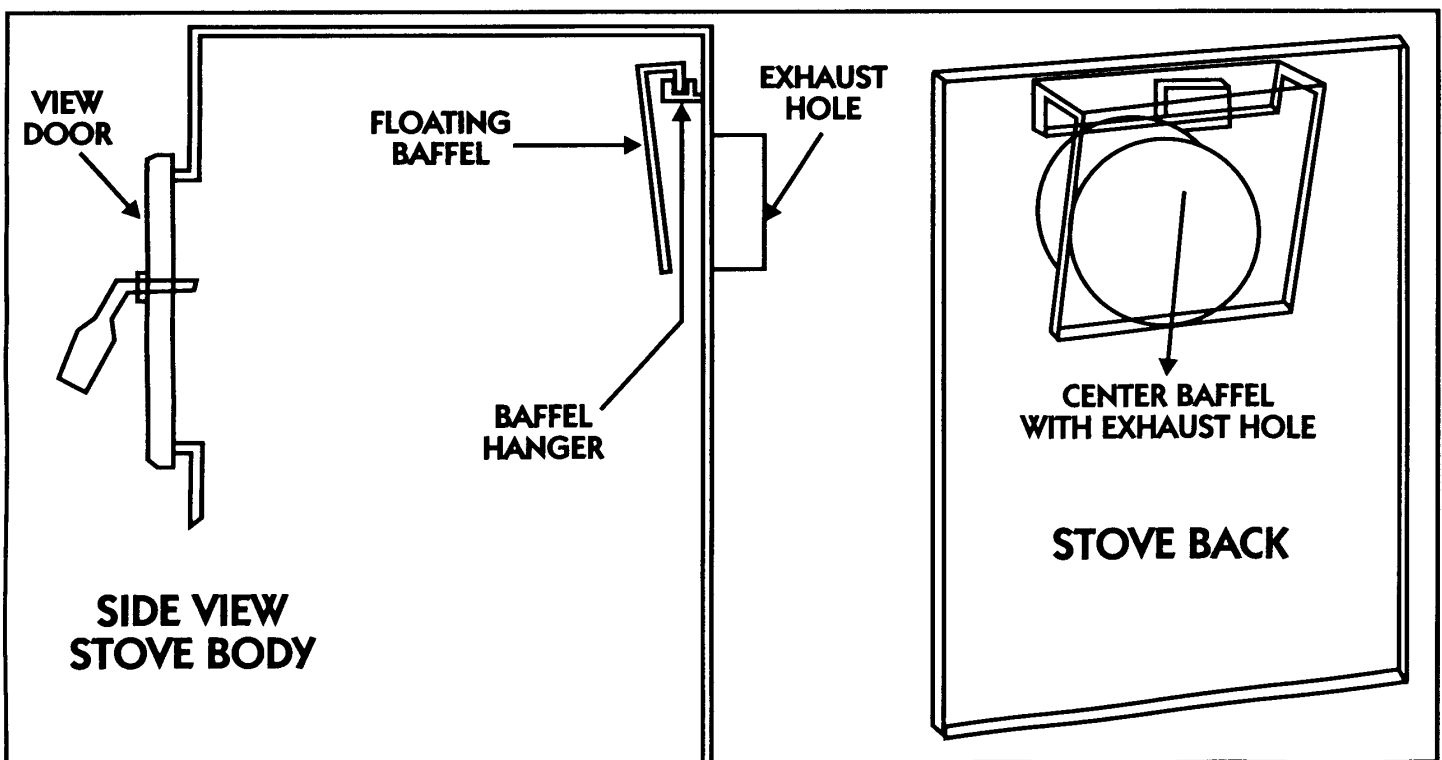


Figure 2

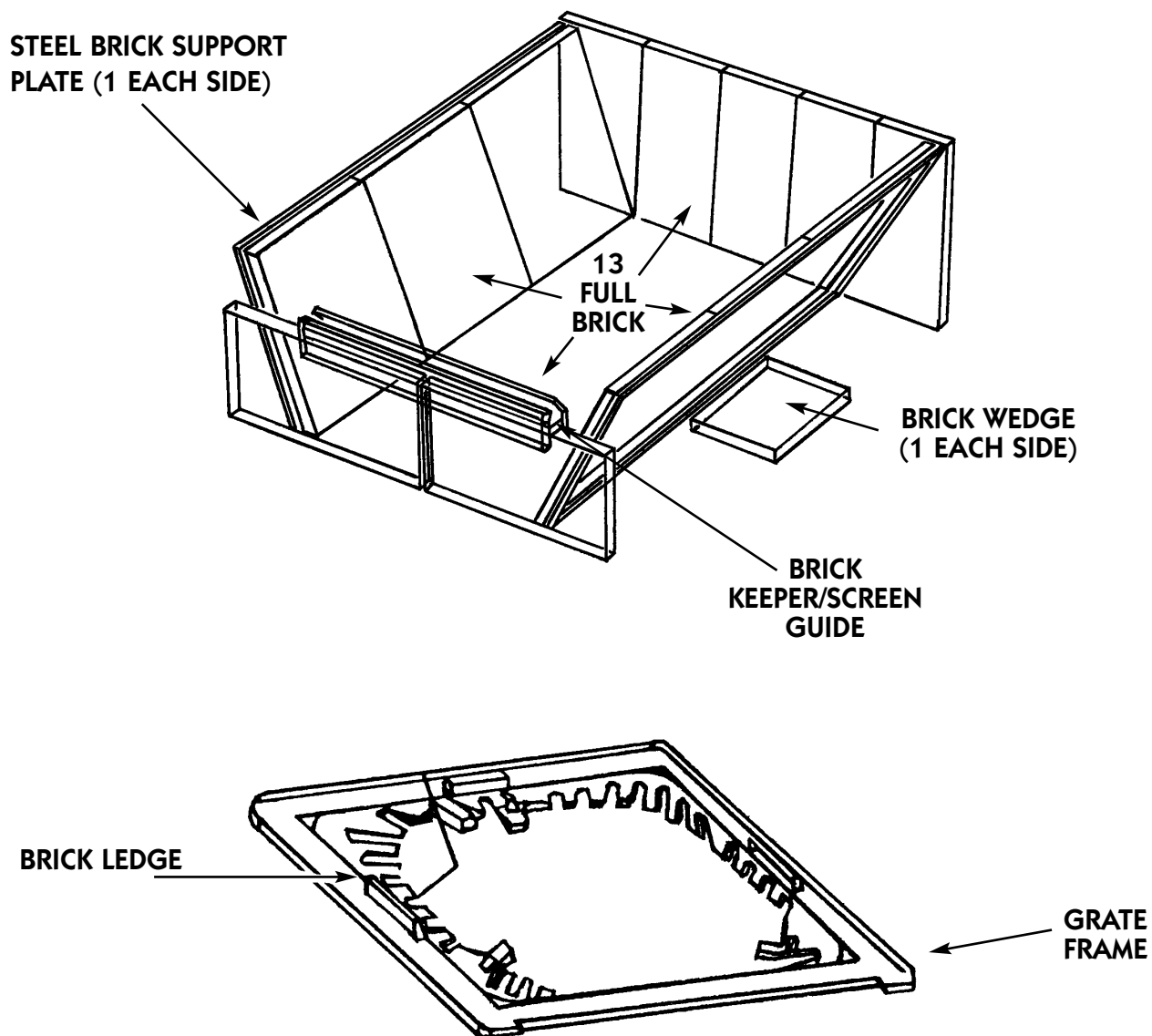


Figure 3

F) Heat Levels

- 1) To obtain **maximum heat** fill stove with coal to just above the front fire brick.
- 2) To obtain **longest even burn** - fill stove to load door (*be sure door is able to close*). Do not push coal, allow it to find its own level. Stove will hold about 120 lbs. of coal. **Caution: Never leave stove unattended with draft controls wide open.**

Each time you fill your stove with coal keep your draft controls wide open for 15 - 20 minutes. This allows your fire to build. Once you have a good fire base

adjust your draft controls to regulate your temperature range.

STEP 6 Raking the Fire

- A) Locate the **Shaker Handle**, open the slide door at the top of the ash door. Insert rectangular end of shaker handle through door and over end of dump grate. Shake vigorously side to side until red coals fall into ash pan. Remove shaker handle.

Close Slide door.

(Do not let slide door open)

- B) **Note:** It may be necessary to poke the fire occasionally, this will depend on the grade of coal and how often the fire is raked. To do this use a straight rod about 3' long with a slight bend at one end. Start at one corner through the load door. Pull the ash toward the center of the grate follow around the sides and the other three corners then push down on the center. Now go back to (A) follow this process again. **Do not stir the ash.**
- C) Ash should be removed as necessary. Do not set a hot ash pan on or near any flammable surface. Dispose of ash in a metal container

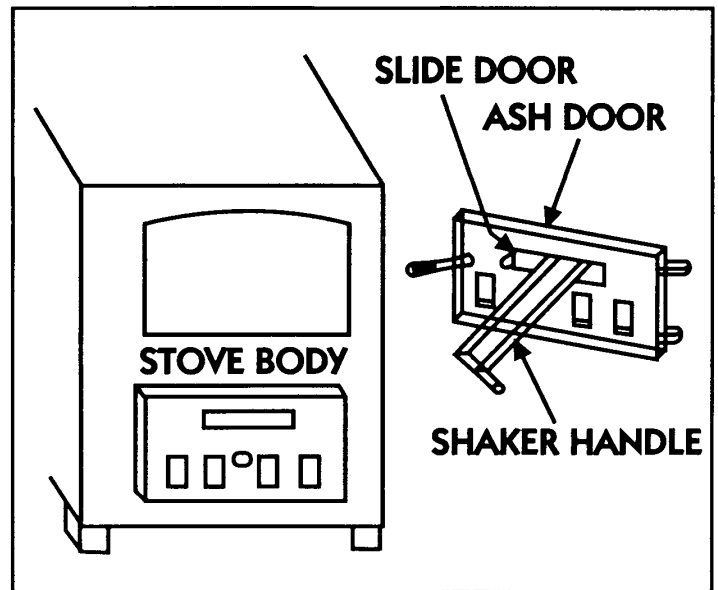


Figure 4

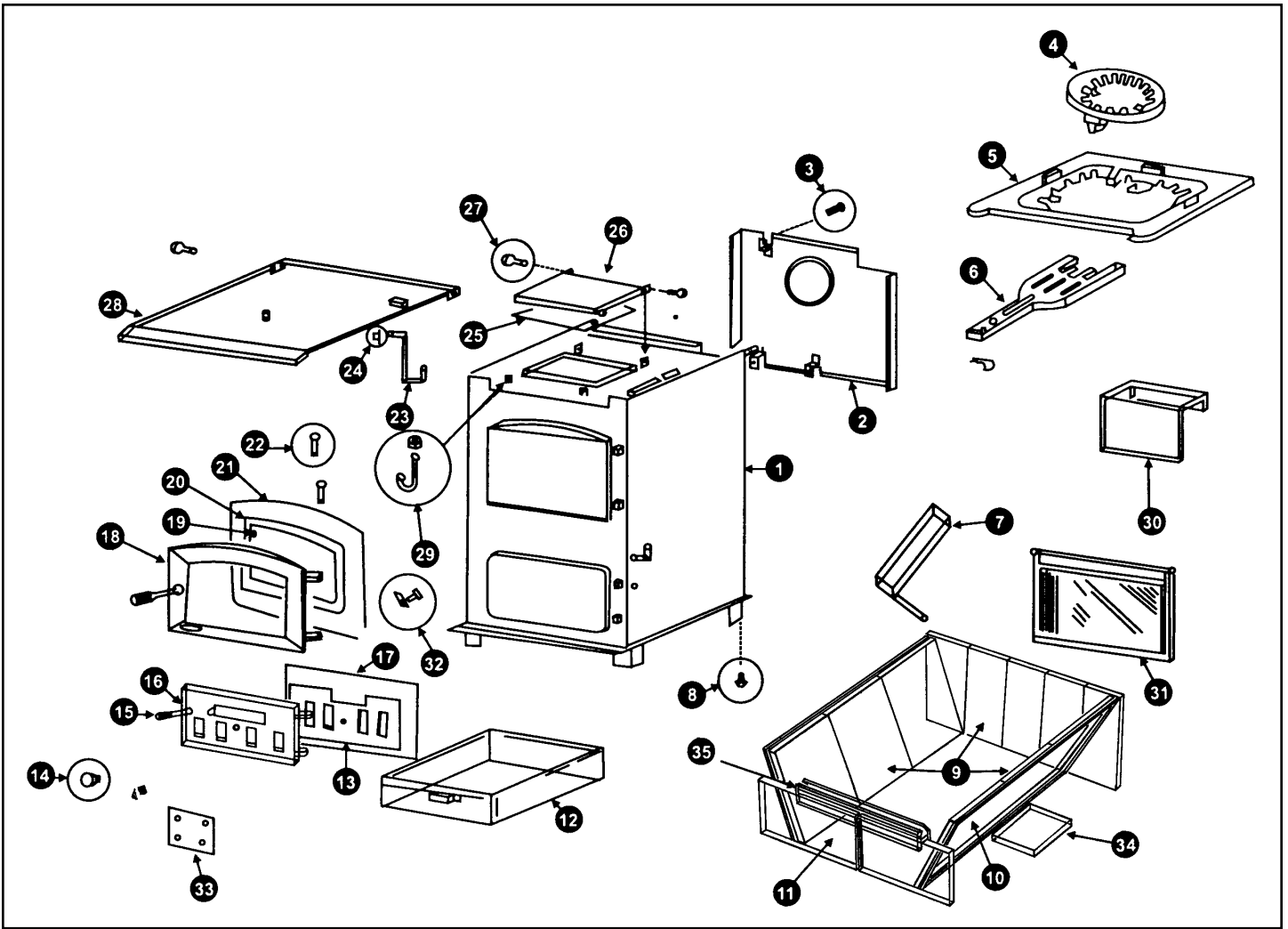
OPERATING TIPS

- 1) Good quality coal will result in less ash and more heat.
- 2) The back legs of your stove are threaded and can be adjusted to level your stove.

TROUBLESHOOTING

Before you call your dealer, check the following chart.

Problem	Possible Cause	Possible Solution
Lazy Fire	<ul style="list-style-type: none"> • Check for Blocked Chimney or Pipe • Chimney may be too Damp • Chimney may Have Poor Draft 	<ul style="list-style-type: none"> • Clean Chimney or Pipe • Dry Out Chimney • Consult a Professional Chimney Sweep
Glass Fogs Constantly	<ul style="list-style-type: none"> • Blocked Secondary Air Channels • Screen Not Properly in Place 	<ul style="list-style-type: none"> • Vacuum Air Channels • Vacuum View Area Central Screen
Ash Door will not Close	<ul style="list-style-type: none"> • Build-up Behind Ash Pan 	<ul style="list-style-type: none"> • Clean Out Bottom of Stove
Grate will not Move	<ul style="list-style-type: none"> • "Clinker" Stuck in Grate 	<ul style="list-style-type: none"> • Allow Fire to Go Out - Clean
Sulfur Odor	<ul style="list-style-type: none"> • Pipe or Chimney Blocked • Poor Draft • Door(s) Open 	<ul style="list-style-type: none"> • Clean Chimney and Pipe • Consult a Professional Chimney Sweep • Close Doors

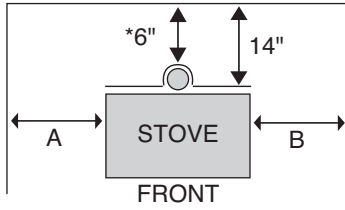


STOVE PARTS

- | | |
|--|---|
| 1) 1 - Stove Body | 19) 1 - View Glass |
| 2) 1 - Stove Back Shield | 20) 3.5' - Adhesive Backed Channel Gasket |
| 3) 3 - Self Drilling Screws | 21) 4' - Adhesive Backed Channel Gasket |
| 4) 1 - Round Grate | 22) 4 - 1 1/2" x 5/16" View & Ash Door Hinge |
| 5) 1 - Grate Frame | 23) 1 - Stove Top Support Rod |
| 6) 1 - Dump Grate | 24) 1 - Support Rod Cap |
| 7) 1 - Shaker Handle | 25) 38" - 3/8 Rope Gasket |
| 8) 2 - Leveling Bolts | 26) 1 - Load Door |
| 9) 11 - 4.5" x 9" x 1.25" Fire Bricks | 27) 4 - 1 1/2" x 1/4" Door Pins |
| 10) 2 - Steel Brick Support Plates (1-each side) | 28) 1 - Top Door |
| 11) 2 - 4.5" x 9" x 1.25" Full Brick Front | 29) 4 - 1/4" x 1 1/16" cleves pins |
| 12) 1 - Ash Pan | 30) 1 - Floating Baffle |
| 13) 1 - Draft Slide Plate | 31) 1 - View Screen |
| 14) 1 - Brass Draft Knob | 32) 3 - 1/4" x 20" Bolts with Tabs |
| 15) 3 - 1/2" Brass Springs | 33) 1 - 3 1/2" x 3 1/2" Cover Plate w/ 4 1/4" 26 Nuts |
| 16) 1 - Ash Door | 34) 2 - Cut Wedge Brick (1 each side) |
| 17) 4' - Adhesive Backed Channel Gasket | 35) 1 - Front Brick Keeper / Screen Guide |
| 18) 1 - View Door | |

FREESTANDING MODE

INSTALL WITH MINIMUM CLEARANCE TO WALL AS SHOWN (IN INCHES)

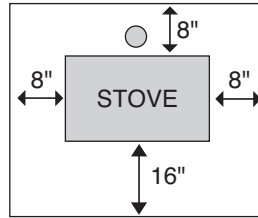


A= 24" Unshielded
6" Shielded

B= 24" Unshielded
6" Shielded

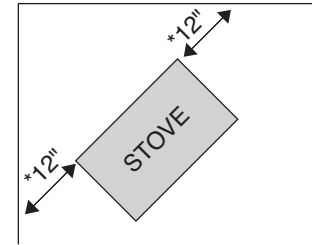
*Alaska pipe shield and rear stove shield kit is required for 6" clearance from stove pipe to rear combustible wall.

FLOOR PROTECTOR



USE APPROVED PROTECTOR

CONTACT YOUR LOCAL BUILDING OR FIRE OFFICIALS ABOUT RESTRICTIONS AND INSTALLATION INSPECTION IN YOUR AREA.



*Side and rear shields are required for 12" corner clearance

PREVENT HOUSE FIRES: INSTALL AND USE ONLY IN ACCORDANCE WITH THE MANUFACTURER'S INSTRUCTIONS AND LOCAL BUILDING CODES

U.S. ENVIRONMENTAL PROTECTION AGENCY

THIS HEATER IS ONE FOR BURNING COAL. USE OF ANY OTHER SOLID FUEL EXCEPT FOR COAL IGNITION PURPOSES IS A VIOLATION OF FEDERAL LAW.



CONAM Inspection, Inc. Auburn, MA 01501 STL - 002
Tested 4/98 to ANSI/UL 1482

Chimney type: Minimum 6 inch diameter approved low heat residential type all fuel. Chimney Connector: 6 inch diameter 24 gauge blue or black steel. Install at least 6 inches from wall and 16 inches from ceiling. Special methods are required when passing through a wall or ceiling. See instructions and building codes.

ALASKA KODIAK - LIMITED WARRANTY

This warranty applies only to the original purchaser. Purchase must be made through an authorized Alaska Co. dealer or a representative of the Alaska Co.

Workmanship is warranted for 5 years from the date of purchase. The grate system, load view mechanism, cast iron door and aggregate tile are warranted for 2 years.

Warranty does not apply if damage occurs because of accident, improper handling or operation, abuse, misuse, rust or corrosion. No unauthorized repair should be made or attempted.

Glass and ash pans are not warranted. Optional blower is warranted for 1 year from date of purchase.

Freight and labor costs incurred or any authorized, warranted item are the responsibility of the original purchaser. All warranty claims must be accompanied by a copy of the original sales agreement.

To make claims under this warranty. Contact the dealer from whom you purchased this unit.

In the event the unit must be returned to the factory for inspection or repairs, the original purchaser must ship prepaid to:

**Alaska Co., 3126 Columbia Blvd.
Bloomsburg, PA 17815**

In order for this limited warranty to be effective and binding upon Alaska Co. the following section must be detached, completed and sent by the original owner to Alaska Co., 3162 Columbia Blvd., Bloomsburg, PA 17815 within 30 days of purchase.

***All liability for any consequential damages from breach of any written or implied warranties is disclaimed and excluded here from. Some states do not allow the exclusion or limitations of accidental or consequential damages, so the above limitation or exclusion may not apply to you.

This warranty gives you specific legal rights and you may also have other rights which vary from state to state. This warranty is void if you do not return the attached card within thirty (30) days after the date of purchase.

***A term required by Federal Law.

Warranty Registration, Cut here and return to: Alaska Company, Inc., 3162 Columbia Blvd., Bloomsburg, PA 17815

Name: _____

Address: _____

City: _____ State: _____ Zip: _____

Dealer Name: _____ Purchase Date: _____

Serial # (from label): _____ Phone: _____