

INSTALLATION / OWNER'S MANUAL

for
**ALASKA STAINLESS STEEL
POWER VENTER**

For 4" and 5" Power Vent System

4" to be installed on Channing III Top Vent or Rear Vent,
Kast Console III Top Vent or Rear Vent, Liberty Top Vent or Rear Vent.

5" to be installed on Model 140 Units Only.

CAUTION!!

The Alaska Power Vent System is designed for use only with the Alaska Stoker Stove to exhaust by-products of combustion through a combustible wall to the exterior of a building, and also to take outside air into the double wall of the Venter to cool outer pipe. No additional thimbles are needed.

Do not use this Power Venter or any of its components for any other purpose. If used with any other solid fuel appliance a house fire may result. Other usage voids all warranties and liability. It must be installed a minimum of 12" above ground level.

Do not vent into a cellar well, dug out hole, etc. Use only original parts.

Do not operate stove for an extended period of time with either the viewing door or ash door open. This will activate the safety switch and shut the stove down, other problems may also result. Check local building codes before installing.

ALASKA STOKER STOVE POWER VENTER

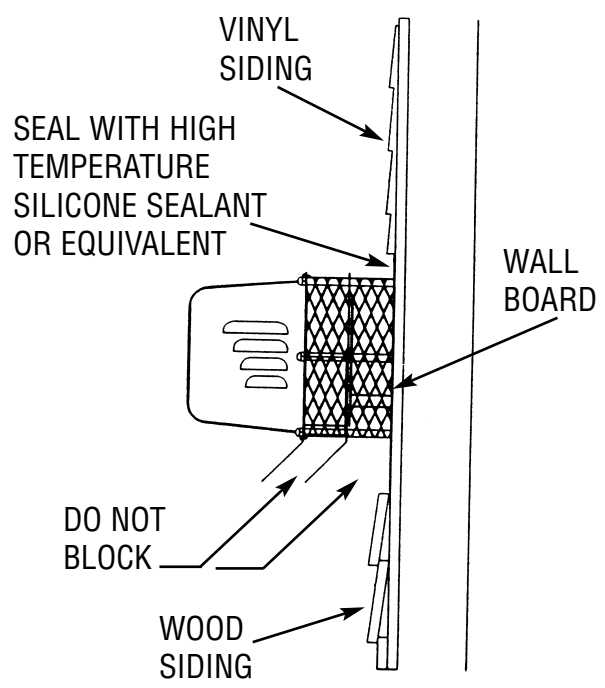
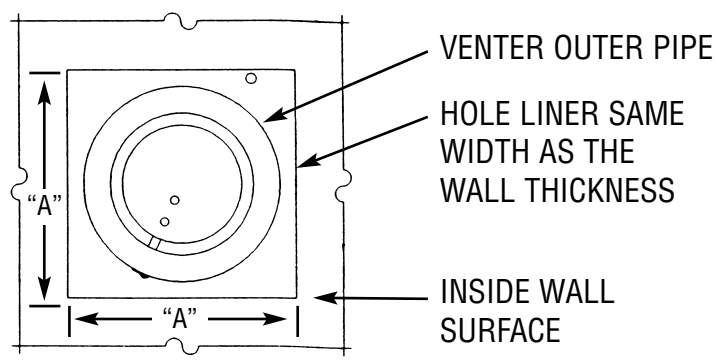
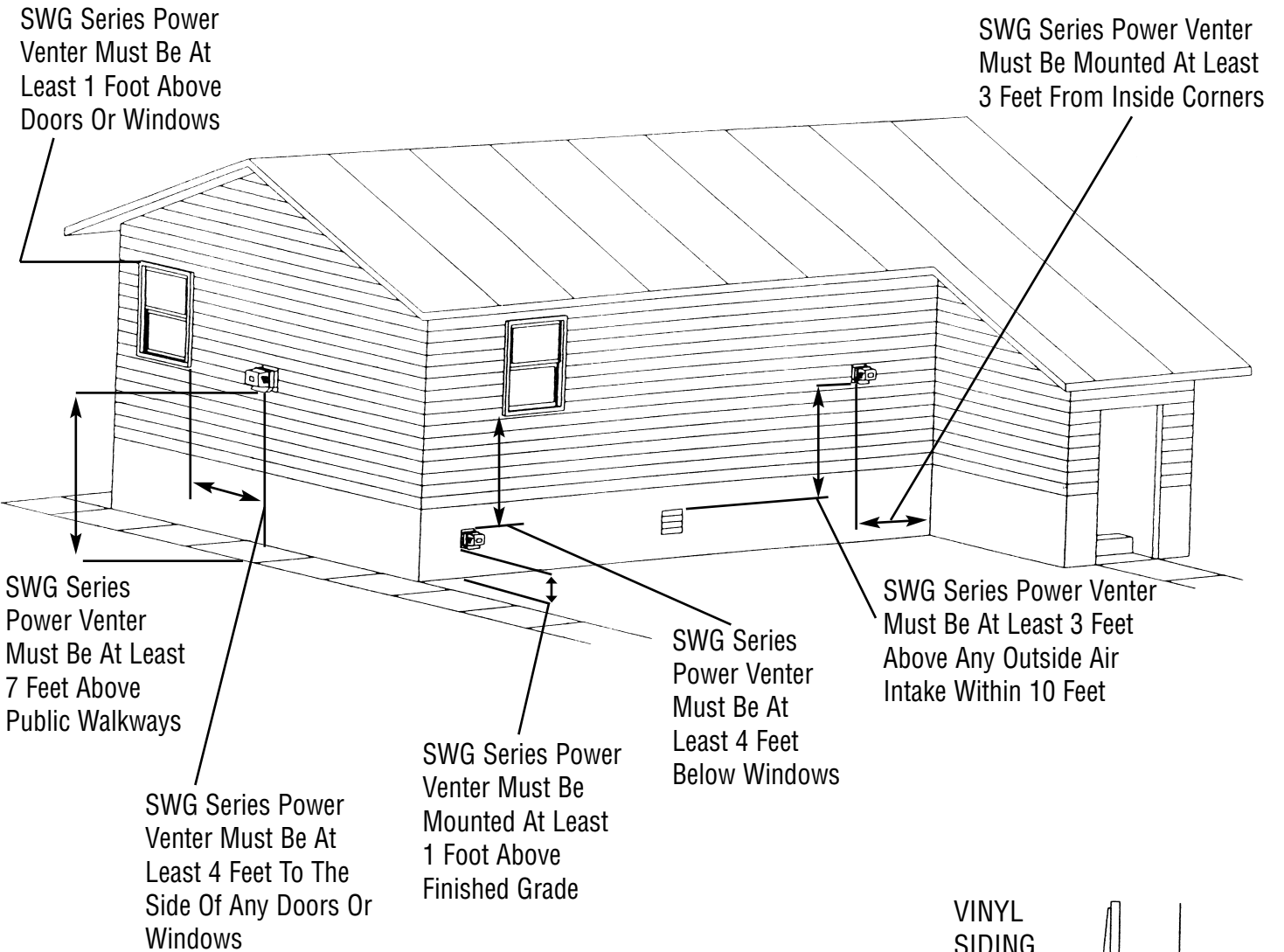
Tested 3/88 TO UL 1482

Arnold Greene Testing Laboratories/CONAM
Natick, Massachusetts 01760 STL-002



Alaska Company, Inc.
3162 Columbia Blvd.,
Bloomsburg PA 17815

SWG SERIES POWER VENTER INSTALLATION LOCATIONS



EXAMPLE:
 Outer pipe diameter = 6"
 "A" Dimension = 7"

HOW THE POWER VENTER WORKS IN CONJUNCTION WITH THE ALASKA STOKER STOVE

The Power Venter is a mechanical chimney that creates a negative pressure (draw) as a chimney does. The Barometric Damper in your pipe allows a balance to be created between the draw of the Power Venter and the draw through the Fume Switch. This balance allows the maximum amount of super heated air to remain in the Stoker Body to be radiated into your home.

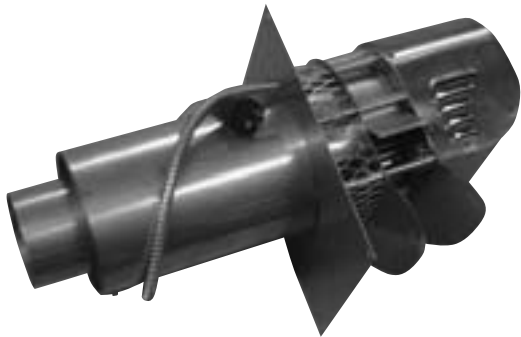
If the Power Venter becomes dirty or if a strong head wind pushes into the Power Venter, room air is not drawn through the Fume Switch allowing the heated air in the stove to push out and trip the snap disc — cutting power to the stove.

There is a “reset” button on the Fume Switch Box that must be pushed to reset. (See figure 1-B page 7) Always check this reset button first if you should lose your fire. If button needs resetting, then check for dirty Power Vent Wheel and check that the Stove Pipe is not dirty.

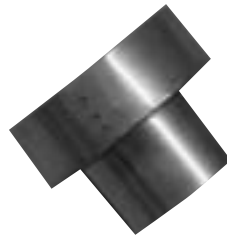
You should also have a carbonmonoxide alarm in your home. Test the gas alarm periodically to insure proper operation.

NOTE: A barometric damper is required for installation on all power vent systems.

PARTS INCLUDED WITH COMPLETE 4" AND *5" POWER VENT



1. Stainless Steel Power Vent Head



2. Zero Reducer Adapter



3. Trim Collar*



4. Fume Switch



5. Cleaning Brushes



6. Outside Cover Plate*

*Item #3 and #6 are not included with a 5" Power Venter

INSTALLING THE ALASKA STOKER STOVE POWER VENTER

CAUTION: Before installing your Stove and Power Venter, check all clearances and local codes. (*see page 2*)

STEP 1 Remove all parts from Parts Box.
(*see List page 3*)

STEP 2 Place Stove Body on Hearth. Assemble Stove Pipe following direction in Stove Manual.

STEP 3 Mark the location for the Power Vent exit hole by making a light pencil mark around the outside of the Stove Pipe.

STEP 4 Make the hole one inch larger than the mark traced on wall. **NOTE:** When installing power vent be sure to center the unit in the hole before attaching with screws

CAUTION: Locate all electrical wires, plumbing lines and wall studs before cutting any holes.

STEP 5 On the inside wall, locate the center of the hole you have traced and drill through the outside wall. Locate drill hole on outside of house. Mark a mark the same size around as the mark inside of house centered with drill hole.

STEP 6 Cut out holes - inside hole first. Follow the marks.

STEP 7 Locate the Zero Reducer and Power Vent Head. Insert the crimped end of Zero Reducer into extension of the Power Venter Head. Fasten with 3 screws.

STEP 8 The Power Vent is made to fit the space between most inside and outside walls. Test the fit by putting the Power Vent through the wall hole. If the unit extends too far into your room, you may want to build and Extension Box. Once you are satisfied you can proceed to mount as follows:

Apply a bead of silicone around the Mounting Flange of the Power Vent Unit.

STEP 9 Place Power Vent through wall, centered in hole, attach with 4 screws.

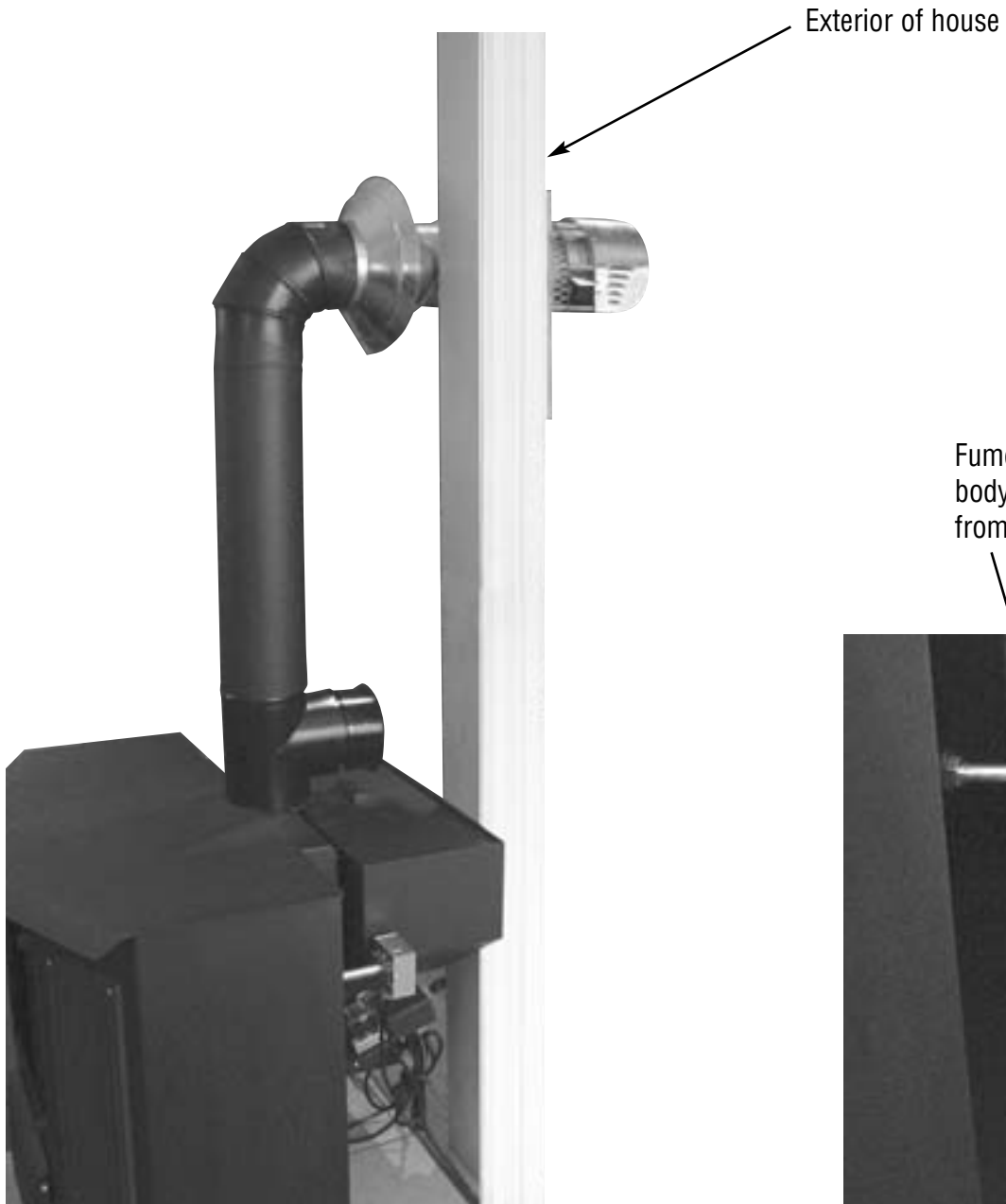
STEP 10 Connect an extension cord to the Power Vent Cord and into the wall outlet. Place the Trim Collar over the Zero Reducer, slide tight to wall, place cord in notch. Connect stove pipe Zero Reducer with 3 screws.

STEP 11 Locate the Fume Switch Bolt in your Stove Body (*see page 5*). Remove bolt. Remove one of the nuts from the Fume Switch. Put the Fume Switch Probe into the hole. Attach probe from inside the stove with the nut you removed from the Fume Switch. On Stove Model 140 the bolt is located on the **Exhaust** Plate.

STEP 12 Locate the Fume Switch. Plug the female end into Feeder Motor Assembly and the male end into a 110 Volt wall outlet.

CAUTION: Before lighting your stove be sure the Power Venter is running. **Always install a Carbon Monoxide Detector.**

POWER VENTER APPLICATION TO ALASKA STOKER STOVE



CLEANING THE ALASKA STOKER STOVE POWER VENTER HEAD / VENTER

CLEANING POWER VENTER HEAD

STEP 1 Remove Outside Motor Cover. (Four 1/4" hex head screws).

STEP 2 Remove the nuts that hold the Motor to the Power Vent Head. DO NOT FORCE MOTOR OUT BY PULLING ON IT. Slowly slide the Motor to the right and outward. After removing the Motor from the Housing, clean, dust and place a drop of oil in each port. Then with baking soda solution and a tooth brush, clean Power Venter Wheel of all fly ash and rinse clean. DO NOT WET MOTOR OR SUBMERGE IN WATER!

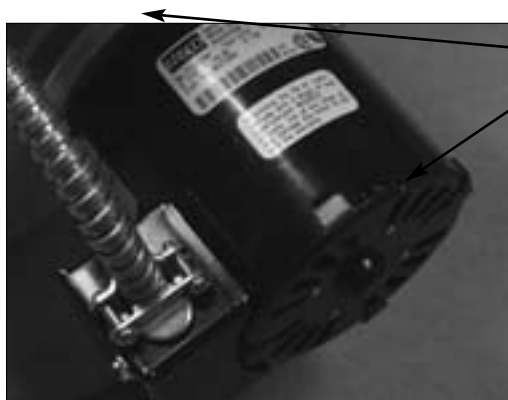
STEP 3 While Motor is out of Housing, place it in a plastic bag. Then submerge Power Venter Housing in a solution of baking soda water (about 1 cup to a gallon of water). Thoroughly clean the Housing of fly ash and rinse with clean water.

STEP 4 Replace the Motor and the Motor Housing Cover. Take the Venter to a dry place that's well ventilated and plug it in. (WARNING — if Motor or Plug got wet while cleaning, DO NOT PLUG IN until completely dry).

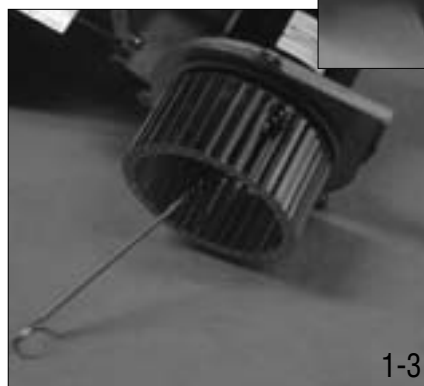
STEP 5 After completely dry, place in a dry place for the summer.

OIL YOUR POWER VENTER — TWICE A YEAR

Outside Cover must be removed to locate oil Ports on Motor (Four 1/4" hex head screws). (See figure this page)



Oil Hole



1-3

CLEANING POWER VENTER

STEP 1 Turn off Venter.

STEP 2 Using small brush, clean between fins of Impeller Wheel — gently. (See figures 1-2, 1-3)

STEP 3 Turn Venter on to remove dust.

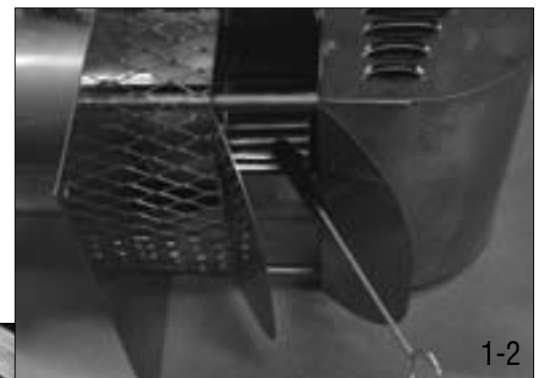
STEP 4 Turn off — inspect.

STEP 5 With Venter on, gently hold larger brush against wheel for final cleaning. (See figure 1-3)

NOTE: It depends on the rate of burn and the percentage of ash in fuel, when you must do this cleaning. Once a month is normal. Procedure takes approximately 5 minutes — fire should not go out.



1-1



1-2

ADJUSTING Barometric

Once you have a 2" to 3" fire on the grate, set your Barometric at .02 - .04. This allows heated air to remain in stoker to radiate out into home.

TESTING FUME SWITCH

This should be tested twice a season. Place the flame of a propane torch in the tube of the Fume Switch, inside back of stove until Fume Switch trips. (Refer to Figure 1-A). If Fume Switch does not trip, shut down the stove, call your dealer or replace the Fume Switch.

TEMPORARY SHUT DOWN

If you are going away for a week or two, first run Stoker until Hopper is empty. Vacuum grate and hopper area. Empty Ash Bucket. Clean Power Venter Wheel. Follow lighting procedure when you restart. Burn a light bulb inside stove to prevent moisture.

CAUTION: When shutting down your Stoker Stove, always do the following:

1. Shut off stove.
2. Scrape hot coals off grate into Ashpan and remove from stove to ventilated area.
3. Shut off Power Venter.

END OF THE SEASON NOTES

At the end of the heating season, within a day of shutting down your stove, clean your stove and power venter.

Your power Venter should not be left in the wall during the non-burning season. The Power Venter is easy to remove from the wall.

STEP 1 Remove the Stove Pipe from the Stove and the Power Venter.

STEP 2 Remove the Trim Collar.



Reset button

Note: Fume switch must be reset after cooling if motor does not operate. Reset, then check venting system before restarting stove.

STEP 3 Unplug extension cord from Power Venter plug. Place plug in center tube of Power Venter.

STEP 4 Go outside, remove the 4 screws that connect the Venter head to the Building.

STEP 5 Slowly pull the Power Venter outward until clear of building.

STEP 6 Place Mounting Plate Cover over the outside of the hole and reattach with the 4 screws.